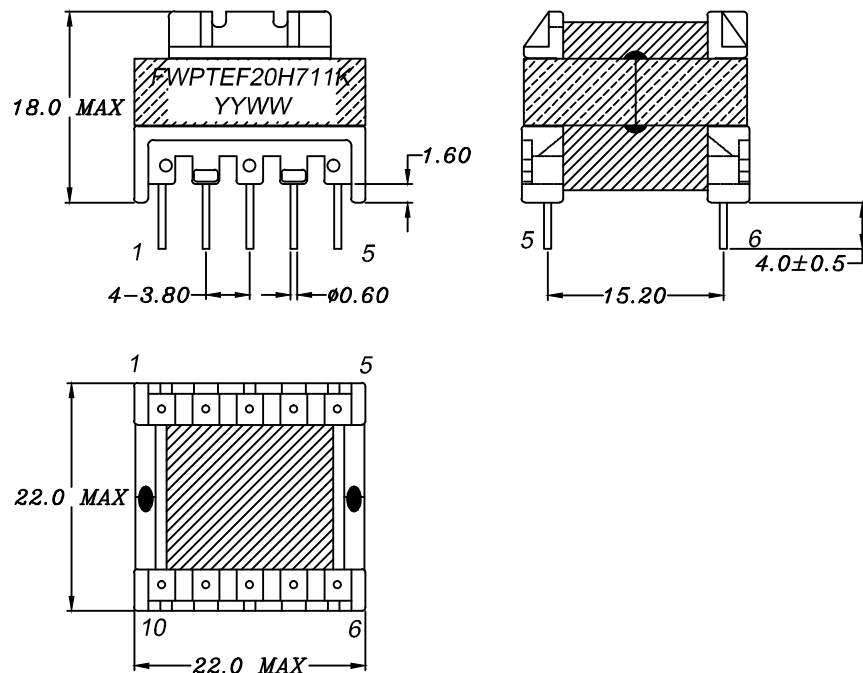


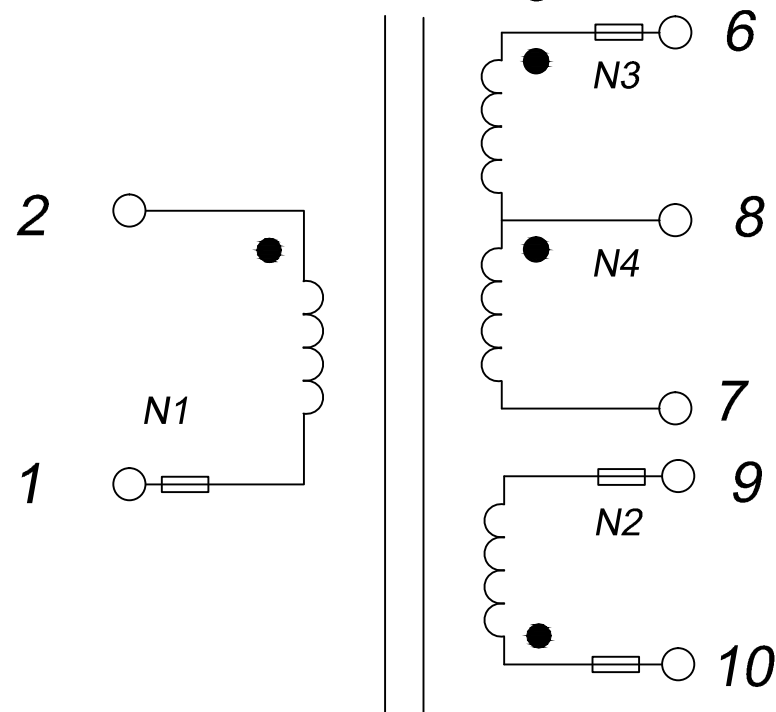
CUSTOMER TERMINAL	ROHS	Lead (Pb) -free
	YES	YES



1. Mechanical Dimensions



2. Schematic Diagram



3. Material List

Core:FW40-EE20/10/6
 Bobbin:FWB2008(EF20)
 Wire:2UEW TIW
 Epoxy:E-500(BLACK)
 Operating Temperature: -30 to 115°C

4. Electrical Specification

Inductance: $L(1-2) = 710\mu H \pm 10\%$ 1.0KHZ 1.0V
 HI-POT: P-S AC 3000V 3mA 3seconds
 P, S-CORE AC 1000V 3mA 3seconds

REV.	DATE	 Convention Placement	DRW.	Drawing Title: TRANSFORMER	Part No:
0	09/01		CHK.		Customer P/N:
RoHS		www.ferriwo.com	APP.		Specification Sheet 1 of 1